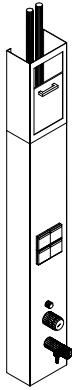


AERO-TUBE

SERVICE SYSTEMS



Dividing spaces, integrating furniture, uniting people



DIMENSIONS

H : Height
999/1351/1703 mm.

W : Width

200 mm.

Services

Power supply
Sanitary supply

* SYSTEM

Technical column service system with accessible panels "Tube" in steel BX-51D which is heat-strengthened powder based on epoxy resins. It is resistant to chemical attack as well as impact and abrasion.

Possibilities for attaching it to the Sky service technical ceiling or to the slab that allows service for the workplace in an ergonomic way.

Service technical columns order the lab space as an open lab environment.

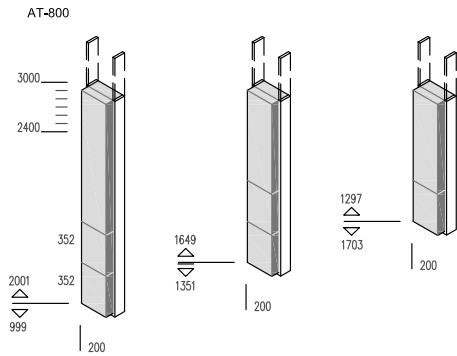
* FUNCTIONALITY

Predicted use for facilities supply (water, electricity, gases, extraction, luminary from the ceiling to the next elements: benches and laboratory equipment).

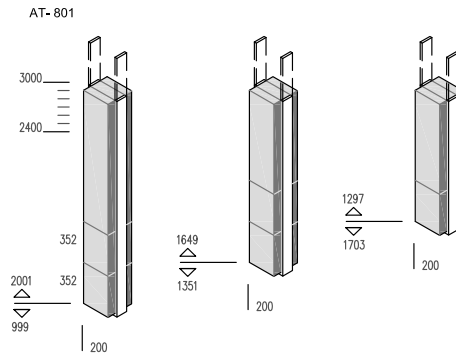
* DEMOUNTABILITY AND REUSABILITY

All components can be demounted and re-used.

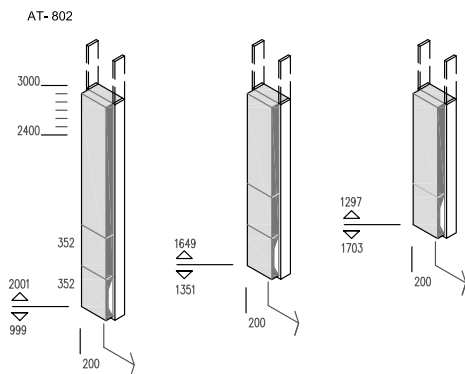
AERO-TUBE no derivations (wall)



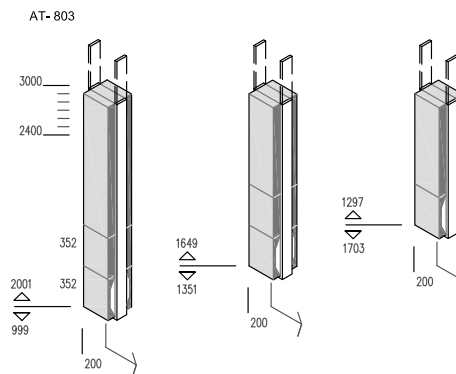
AERO-TUBE no derivations (central)



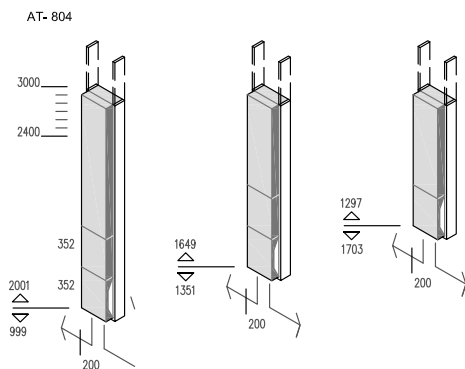
AERO-TUBE derivation to one side (wall)



AERO-TUBE derivation to one side (central)



AERO-TUBE two derivations (wall)



AERO-TUBE two derivations (central)

